

ePROOF



GARRETT SPECIALTIES

a promotional product company

2 Split Rock Drive Suite 11, Cherry Hill, NJ 08003
Telephone: 1-856 424-4818 or 1-800 320-1510

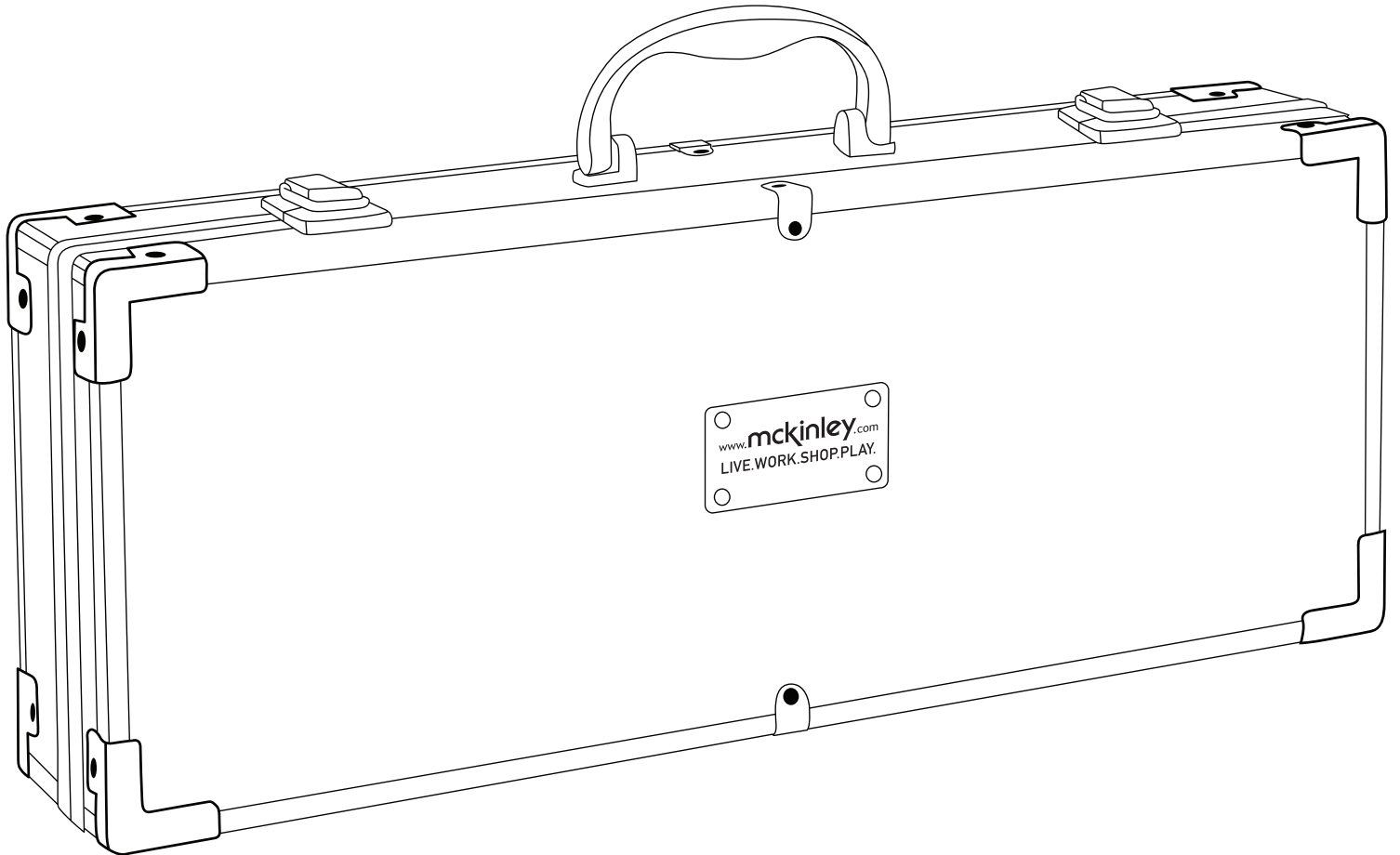
6 Piece Barbeque Set

Order Number: 113092

Item Number: 1039-105390

Imprint Color: PMS# 287

Imprint Area : 1-3/4" x 1/2"H



www.mckinley.com
LIVE.WORK.SHOP.PLAY.

ART SHOWN AT 150%
FOR PROOFING PURPOSES.