

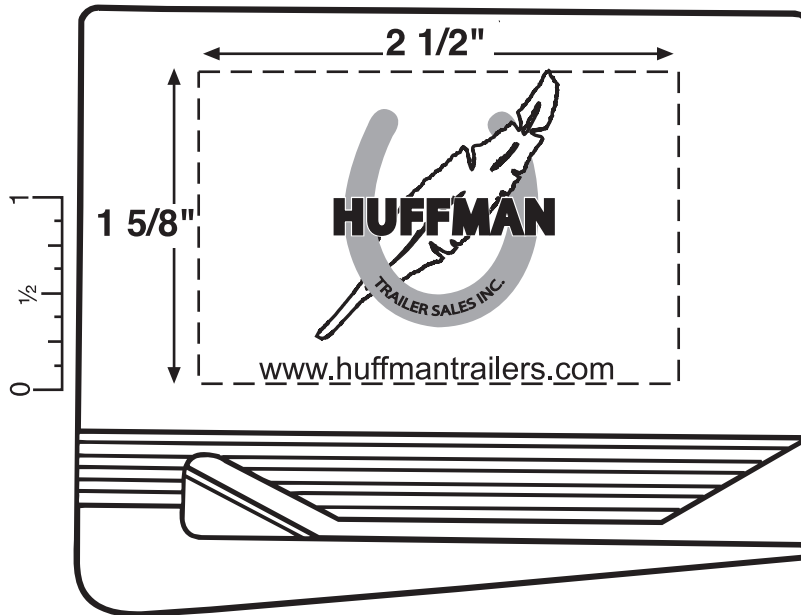
- It is imperative that you view your e-proof and submit your approval and/or changes promptly to maintain your anticipated delivery date
- Carefully review the attached proof for verification of copy & layout.
- Due to inherent technical differences in color monitors, the imprint colors depicted in the attached proof will not resemble those in the final product
- Garrett Specialties assumes no responsibility for errors after a proof has been authorized to print
- **Due to differences in display and print settings between computers the imprint area may not display at actual size. Printing your proof may aid in evaluating your artwork however all proofs, printed or otherwise, may vary from the final product.**

Imprint Colors: Silver (pms 877) and Orange (pms 165)



Imprint area 2.5" X 1-5/8"  
(dashed line shows imprint area and does not print)

**ART NOTE - The text "Trailer Sales Inc." is very small and may fill in and become illegible during printing.**



Art enlarged for viewing (150%)

Color for layout only (printed color may vary from monitor screen color)



[www.huffmantrailers.com](http://www.huffmantrailers.com)



[www.huffmantrailers.com](http://www.huffmantrailers.com)