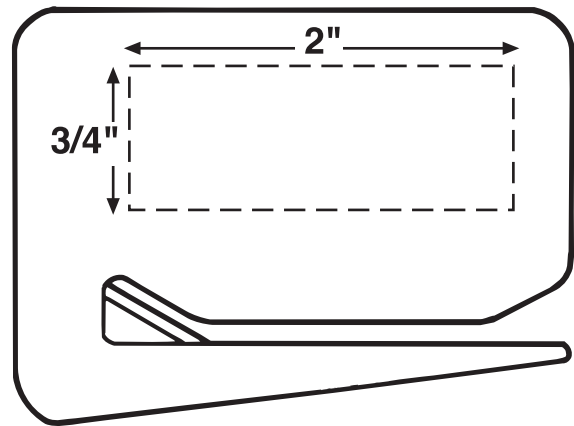


**Front Side**



**Back Side**

Dotted lines = imprint areas