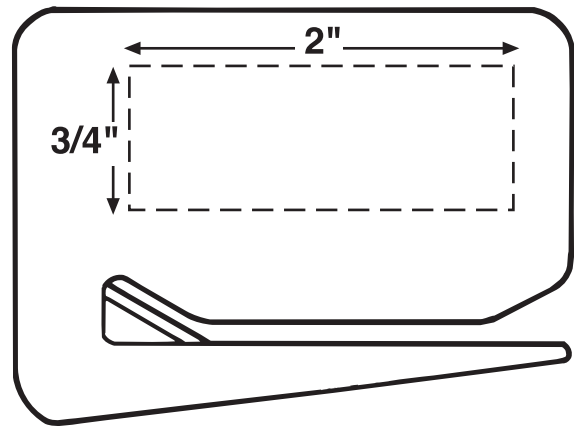


Front Side



Back Side

Dotted lines = imprint areas