

CO. NAME:

PHONE: 856-424-4818

FAX: service@garrettspecialties.com

P.O.#: 106988WIL

S.O.#: _____

ITEM#: _____ PROOF #: 1

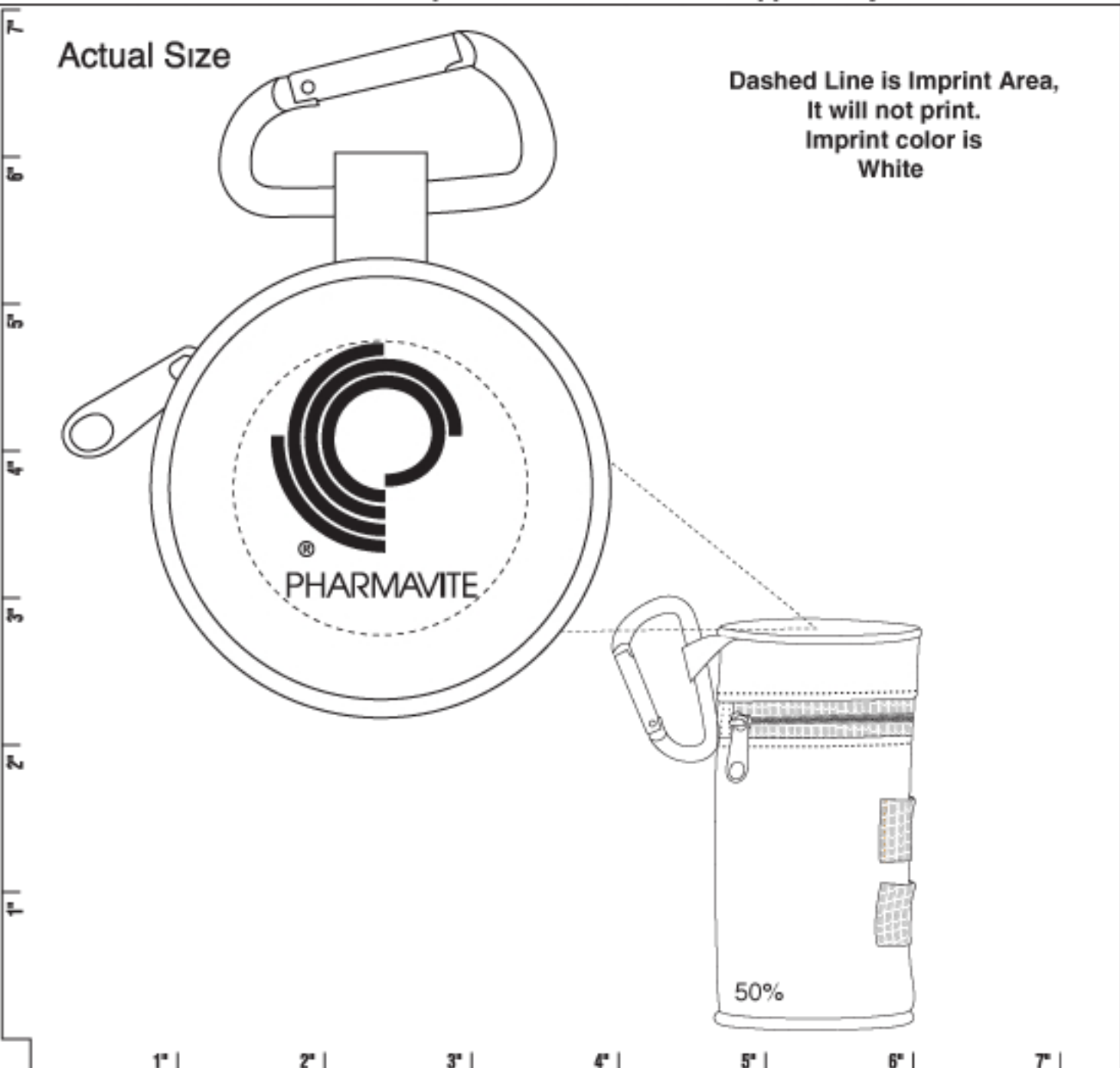
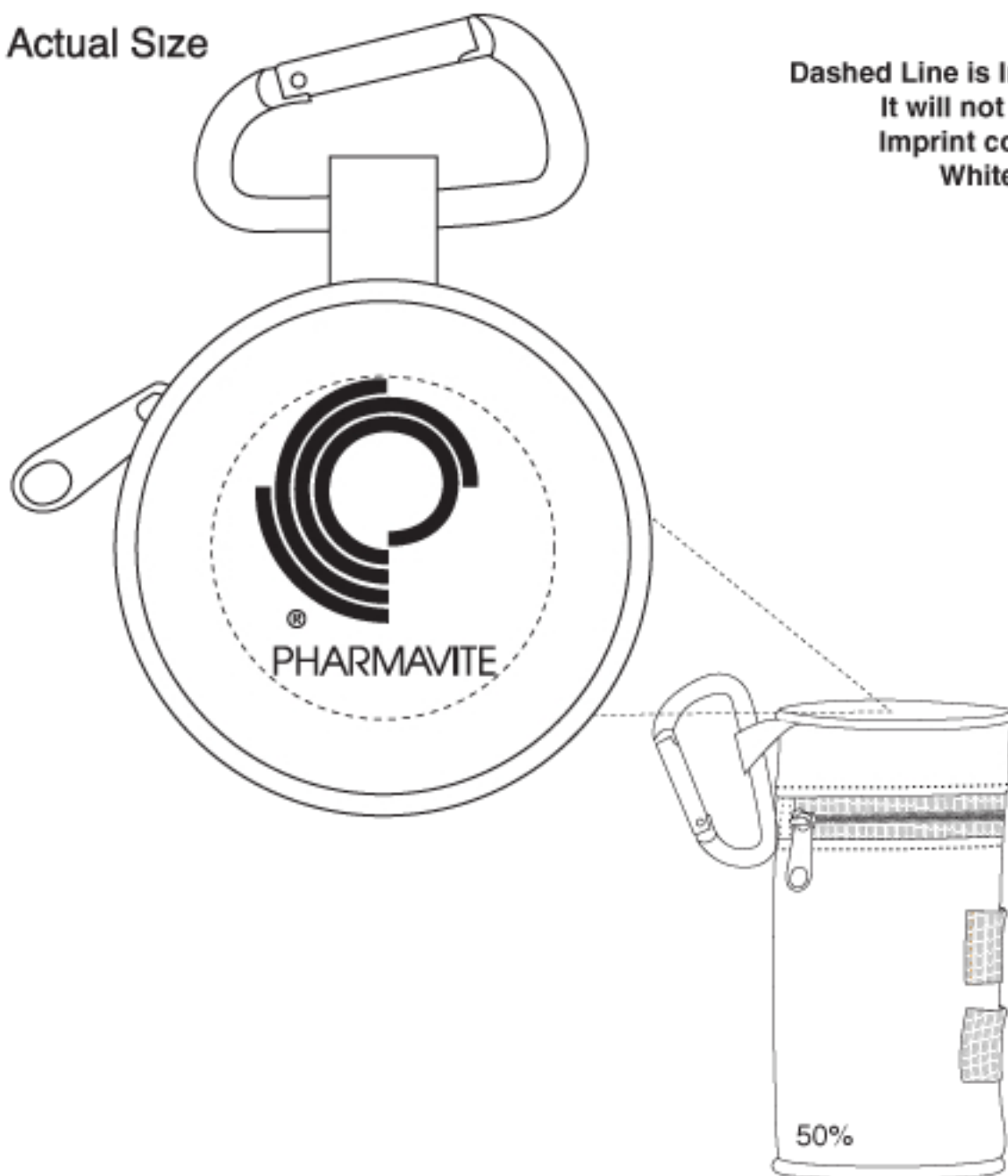
ATTN: _____ DATE: 7/19/07

-YOUR ORDER IS ON PAPER PROOF HOLD-

STANDARD PRODUCTION TIME DOES NOT BEGIN UNTIL APPROVAL IS RECEIVED
The artwork shown on this proof is the same as it will appear on your order.

Actual Size

Dashed Line is Imprint Area,
It will not print.
Imprint color is
White



(For Your Reference) Don't forget to check for:

- | | | | | |
|--|--|---|--|--|
| <input type="checkbox"/> typographical errors | <input type="checkbox"/> color separations | <input type="checkbox"/> correct layout used | <input type="checkbox"/> correct item | **mark approved or
revise box, sign proof
and fax back |
| <input type="checkbox"/> any missing type/copy | <input type="checkbox"/> correct imprint color | <input type="checkbox"/> correct stock art used | <input type="checkbox"/> marked preferred layout | |

APPROVED
AS IS

REVISE AND REPROOF
(Please indicate revisions above
Revised proof is required)

****NO CREDIT WILL BE ISSUED FOR
ANY ART ERRORS AFTER APPROVAL**

SIGNATURE _____

DATE _____

(**Your proof must be signed, dated, and an approval box must be marked before your order will proceed.)