

E-MAIL/ FAX PROOF

Attn: _____ Date: 6/18/07
Re: PO 106785WIL FO#: _____

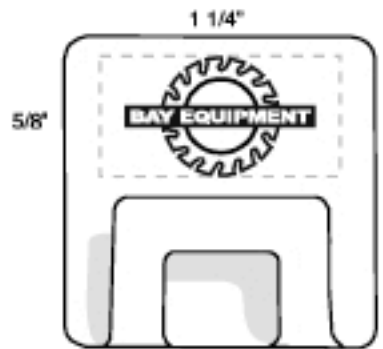
**YOUR ORDER IS ON HOLD
UNTIL WE HEAR FROM YOU.**

Please respond immediately. Order will be re-scheduled after reply is received.

Dear valued customer:
Please find your camera proof as requested. Please advise _____ as soon as possible if the proof meets with your approval or if any changes are needed. Thank you.

REPLY: APPROVED AS SENT _____ / NOT APPROVED, MAKE CHANGES _____
AS NOTED _____

Dotted line represents imprint area



Black Imprint